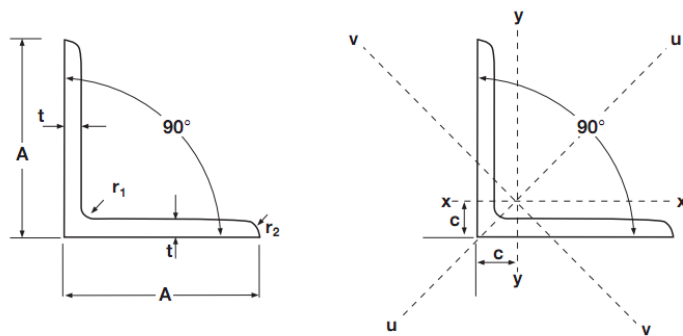


RAINHAM STEEL

Phone: 01708 522311 Fax: 01708 559024 Email: sales@rainhamsteel.co.uk

Equal Angles

Dimensions and properties to BS EN 10056-1: 1999



Designation		Mass per metre kg/m	Root radius r_1 mm	Toe Radius r_2 mm	Area of Section cm ²	Distance of centre of gravity c cm	Second Moment of Area		
Serial Size	Axis x-x, y-y cm ⁴						Axis u-u cm ⁴	Axis v-v cm ⁴	
A x A x t mm x mm x mm									
200x200x24	71.1	18	9.0	90.6	5.84	3331	5280	1380	
200x200x20	59.9	18	9.0	76.3	5.68	2851	4530	1170	
200x200x18	54.2	18	9.0	69.1	5.60	2600	4150	1050	
200x200x16	48.5	18	9.0	61.8	5.52	2342	3720	960	
150x150x18	40.1	16	8.0	51.0	4.37	1050	1680	440	
150x150x15	33.8	16	8.0	43.0	4.25	898	1430	370	
150x150x12	27.3	16	8.0	34.8	4.12	737	1170	303	
150x150x10	23.0	16	8.0	29.3	4.03	624	990	258	
120x120x15	26.6	13	6.5	33.9	3.51	445	710	186	
120x120x12	21.6	13	6.5	27.5	3.40	368	584	152	
120x120x10	18.2	13	6.5	23.2	3.31	313	497	129	
120x120x8	14.7	13	6.5	18.7	3.23	256	411	107	
100x100x15	21.9	12	6.0	27.9	3.02	249	395	105	
100x100x12	17.8	12	6.0	22.7	2.90	207	328	85.7	
100x100x10	15.0	12	6.0	19.2	2.82	177	280	73	
100x100x8	12.2	12	6.0	15.5	2.74	145	230	59.9	
90x90x12	15.9	11	5.5	20.3	2.66	148	235	62	
90x90x10	13.4	11	5.5	17.1	2.58	127	201	52.6	
90x90x8	10.9	11	5.5	13.9	2.50	104	166	43.1	
90x90x7	9.6	11	5.5	12.2	2.45	92.6	147	38.3	

Designation Serial Size A x A x t mm x mm x mm	Mass per metre kg/m	Radius of Gyration			Elastic Modulus	Torsional Constant	Equivalent Slenderness Coefficient
		Axis x-x, y-y cm	Axis u-u cm	Axis v-v cm	Axis x-x, y-y cm ³	J cm ⁴	ϕ_a
		200x200x24	71.1	6.06	7.64	3.90	235
200x200x20	59.9	6.11	7.70	3.92	199	107	3.05
200x200x18	54.2	6.13	7.75	3.90	181	78.9	3.43
200x200x16	48.5	6.16	7.76	3.94	162	56.1	3.85
150x150x18	40.1	4.54	5.73	2.92	98.8	58.6	2.48
150x150x15	33.8	4.57	5.76	2.93	83.5	34.6	3.01
150x150x12	27.3	4.60	5.80	2.95	67.8	18.2	3.77
150x150x10	23.0	4.62	5.82	2.97	56.9	10.8	4.51
120x120x15	26.6	3.62	4.57	2.34	52.4	27.0	2.37
120x120x12	21.6	3.65	4.60	2.35	42.7	14.2	2.99
120x120x10	18.2	3.67	4.63	2.36	36.0	8.41	3.61
120x120x8	14.7	3.69	4.67	2.38	29.1	4.44	4.56
100x100x15	21.9	2.98	3.76	1.94	35.6	22.3	1.92
100x100x12	17.8	3.02	3.80	1.94	29.1	11.8	2.44
100x100x10	15.0	3.04	3.83	1.95	24.6	6.97	2.94
100x100x8	12.2	3.06	3.85	1.96	20.0	3.68	3.70
90x90x12	15.9	2.70	3.40	1.75	23.4	10.46	2.17
90x90x10	13.4	2.72	3.42	1.75	19.8	6.20	2.64
90x90x8	10.9	2.74	3.45	1.76	16.1	3.28	3.33
90x90x7	9.6	2.75	3.46	1.77	14.1	2.24	3.80